

## How To Install A Marble Mantel

You will likely need the following:

- Marble Glue (we suggest Liquid Nails #LN933)
- Pencil
- Level
- Measuring Tape
- Qty 2 to 4 metal straps (or L-brackets)
- Qty 4-8 1" Screws
- Drill
- Masonry Bit (sized for pre-drilling holes for 1" screws)

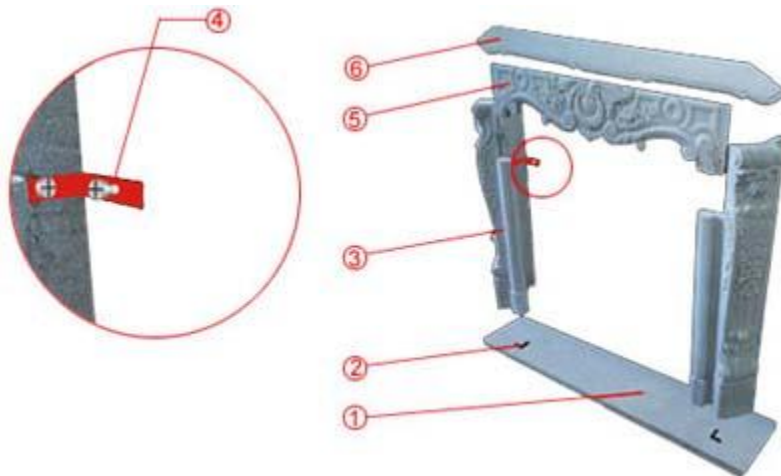
Most of our marble mantels consist of four components...

- 1- Right Leg
- 1- Left Leg
- 1-Mantel Header/center panel
- 1-Top Shelf

*Some mantels have additional components or tiered shelves that might come in two or more pieces. Please note that the hearth (#1 below) is NOT included.*

Before installation...

Insure that the Floor/Hearth is perfectly level or insure you have some means to level the mantel so its components will align correctly. Before going further, with at least one helper, dry-fit the mantel in place by carefully positioning the legs, header and shelf, then mark reference lines on the wall and floor with the pencil. Find, mark and drill potentially useful stud locations on the wall behind the mantel and mark and drill screw hole locations on the mantel itself to attach the metal straps. Carefully lay the mantel components to the side. The installation of any customer provided marble facing or inside return marble pieces should be coordinated with the mantel installation.



### Step 1

Place a bead of construction adhesive on the back of one mantel leg, then position it in place, and secure it using a metal strap or angle bracket. You will likely need to brace it to hold it in position while the adhesive dries. Repeat on the other side, insuring proper positioning to accept and align with the marble header and shelf components.

### Step 2

Apply a very small amount of adhesive to the edges of the header that will abut with the marble legs, and position the header in place. Wipe away any adhesive that is exposed before it dries.

### Step 3

Apply a small amount of construction adhesive to the top edges of the header and/or any part of the legs that will abut the bottom of the top shelf component(s,) and position the top shelf, wiping away any excess construction adhesive quickly.

### Step 4

Step back and inspect for proper alignment, make any adjustments needed, wipe any excess adhesive, and you may apply a good car wax, following manufacturer's instructions.

### Step 5

Love the way you live!